

■ **SSI 3025 Digital display for SSI signals**

Characteristics

- Input Synchron Serial Interface SSI
- Up to 1 MHz clock frequency
- Master/Slave-Mode
- LED-Display, red, 6 decades, 14 mm
- Display range -99999 .. 999999
- Free scaling and zero definition
- DIN Standard Case 96 x 48 mm
- Small Depth (70 mm)

Parameters of encoder

- Binary or gray code
- Resolution of the encoder
- Singelturm/Multiturm
- Direction of rotation
- Master/Slave-Mode
Master: clock is generated internally
Slave: clock is generated by an external instrument

SSI signal inputs

- Data input, receiver RS 422/485
- Clock output, driver RS 422/485
- Clock input, receiver RS 422/485

Software functions

- Adjustable for encoder with 9-32 bits
- Bit programming for fir-tree data format
- Scalingfactor
- Zero point adjustment with or without sign
- Decimal point setting
- Offset value
- programmable push button:
the *-button can be programmed to zero-setting functions

Ordering Informations

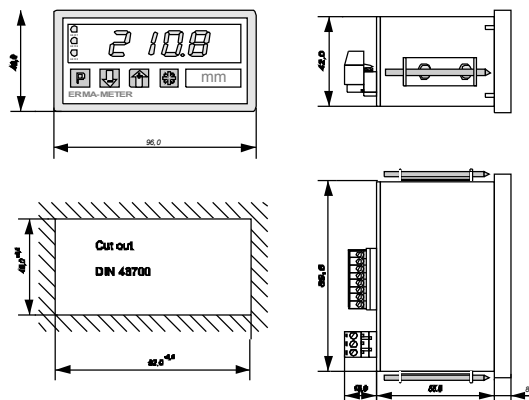
SSI 3025 -	0	0	0
Housing			
	0	switch board mounting	
	1	panel-clip mounting	
Reserved			
Front design			
	0	reserved	
	1	ERMA-Meter Logo	
	2	no Logo	
	3	customer defined Logo	
Reserved			
Power supply			
	0	5 V DC, 10 % (isolated)	
	1	12 V DC, 10 % (isolated)	
	2	18 bis 36 V DC (isolated)	



Specifications

SSI signal input	: singleturm or multiturm
Resolution	: 9 .. 32 bit
Code	: binary or gray
Data input	: receiver RS 422/485
Clock input	: receiver RS 422/485
Clock output	: driver RS 422/485
Master mode	
Clock frequency	: 1 MHz, 500 kHz, 200 kHz, 100 kHz
Conversion rate	: approx. 80 values per sec
Slave mode	
Clock frequency	: extern, 500 kHz, 200 kHz, 100 kHz
Conversion rate	: approx. 80 values per sec
Pause	: 500 µs
Power supply voltage	: 18 .. 36 V DC, max 50 mA
optional	: 12 V DC, ± 10 %, max. 100 mA
optional	: 5 V DC, ± 10 %, max. 200 mA
Isolation voltage	: 500 V / 1 min
Display	: 6 decades, 14 mm, red Decimal point programm. preliminary zero suppress. - sign at negative values
Operation, keyboard design	: front membrane with push buttons
Case	: DIN 43700
Dimensions	: 96 x 48 x 65 mm
Depth	: 72 mm incl. screw terminal
Mounting	: panel mounting or mosaic-system
Weight	: ca. 200 g
Connection	: Plug-In screw terminal
Operating temperature	: 0 .. 50 °C
Storage temperature	: -20 .. 70 °C
Humidity	: < 80 %, not-condensing
Protection	: protective class II
Front protection	: IP 54
Field of application	: class 2, overvoltage protect.
CE	: in conform w. 89/336/EWG

Dimensions



ssi3025_en_v05.08