

Relay Modul RL 1337

Highlights

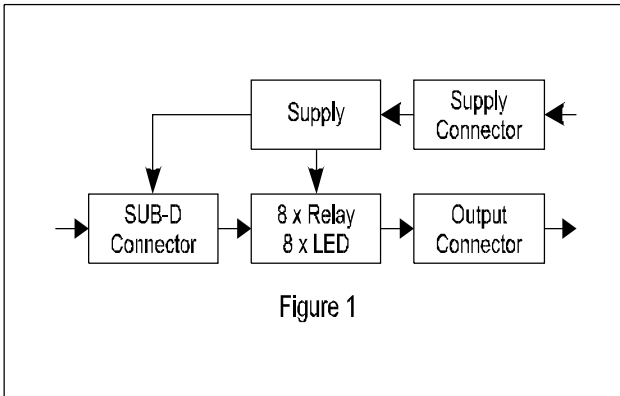
- 8 Change Relays
- Power Supply On Board
- Outputs Isolated
- Easy Connection To RL 1335
- max. 1500 VA / 250 VAC

General

The relay modul RL 1337 provide eight change relays to switch power in harsh industrial environment.

The RL 1337 was designed to connect to the relay board RL 1335 or different relay- or IO-boards.

The power supply of the modul RL 1337 and the relays are on board.



Technical Data

Outputs	: 8 x change-over contact relays
Switching Voltage	: max. 30 VDC max. 250 VAC
Switching Current	: max. 6 A AC/DC
Switching Power	: max. 1500 VA max. 180 W
Supply Voltage	: 230 VAC, max. 3 VA
Connector	: DB25-male For Inputs feathered terminal for Outputs
EMV	: EMV-conform with 89/336/EWG
Operating Temperature	: 0 - 50 °C
Storage Temperature	: - 25 to +85 °C
Dimensions	: 158 x 78 mm

Ordering Information

RL 1337/H for DIN-rail mounting
RL 1337/W for wall mounting

The block diagram of the board RL 1337 is shown in figure 1.

Accessoires

Cable MKS 25-1.5 (1.5 m)
Cable MKS 25-3 (3 m)
Cable MKS 25-5 (5 m)