

■ Displays with Serial Interface MT 2511, MT 2512 and MT 2513

Highlights

- Serial Input RS 232, RS 485 or TTY
- Addressing
- LED Display 8 mm, 5 decades
- DIN Housing 48 x 24 mm
- Switchboard- or Mosaic System Mounting
- Isolated Power Supply
- Plug-In Screw Terminal

Comments

The instruments are available with several interfaces:

MT 2511

- RS 232 signal input

MT 2512

- RS 485 signal input

MT 2511

- TTY (Current-Loop, 20 mA) signal input

Standard functions

Addressing

Several instruments can work on one interface. To this each instrument gets a own adress.

If the displayed signs of the data string is not start at the first position, it is possible to programm how much preceded signs are to ignore.

Signs

- -, 0, 1, 2, 3, 4, 5, 6, 7, 8, 9, A, B, C, D, E, F
- Blank, decimal point
- "+" is shown as a blank

Software functions

- Programmable baud rate
- 3 selectable address signs
- To fade out max. 127 signs
- Display test

Digital input channels

The instruments are provided with three digital input channels. The digital input channels are low active. The digital inputs are carried out following functions:

- Programming
- Display test



Power supply

- 18 .. 36 V DC isolated
- optional 12 V DC isolated
- optional 5 V DC isolated

Programming

The programming is easy and clearly arranged. By means of a programming menu the user is taken through this programming. The programming is carried out through the digital input channels.

Options

Housing type

- Switch board mounting DIN 43700
- Mosaic system mounting (Subklev, Siemens 8RU)

Colour of the front frame

- Black
- Grey coloured RAL 7037
- Grey coloured RAL 7032
- Grey coloured RAL 7035

Design of the front

- Without front foil
- Front foil ALU
- Front foil RAL 7032
- Front foil RAL 7035
- Unit overprint

Display colour

- Red
- Green

Technical data

Display : 5 decades, 8 mm, red (opt. green)

Signal input :
 MT 2511 : RS 232
 MT 2512 : RS 485
 MT 2513 : TTY (Current-Loop, 20 mA)

Data form : 1 start bit, 8 data bits, 2 stop bits
 Baud rate : 1200, 2400, 4800, 9600 prog.

Digital input channels : 10 kΩ to +5V
 Low level : < 0,4 V
 High level : > 3,5 V, max. 30 V

Power supply DC : 18 V to 36 V DC, isolated
 optional : 12 V DC, ± 10 %, isolated
 optional : 5 V DC, ± 10 %, isolated

Power consumption : approx. 30 mA (red)
 (18 .. 36 V DC) : approx. 40 mA (green)

Housing : switch board mounting DIN 43700
 Dimensions : 48 x 24 x 60 mm
 Depth : < 70 mm incl. screw terminal
 Protection : front IP 40

EMV : EMV-conform with 89/336/EWG
 Operating temperature : 0 .. 50 °C

Ordering information

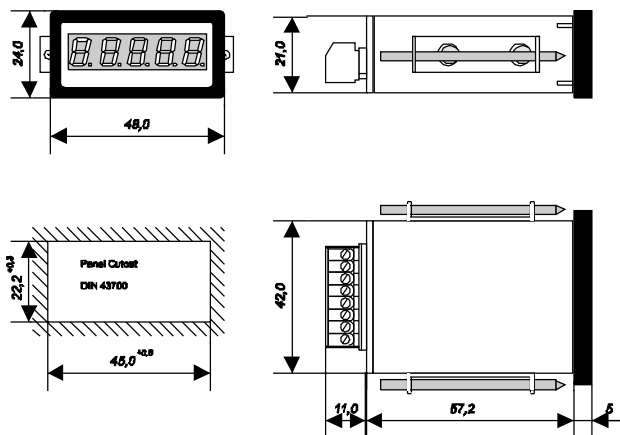
MT 251x -	
	Housing
	0 Switch board mount
	1 Panel clip
	Front frame colour
	0 Black
	1 Grey coloured RAL 7037
	2 Grey coloured RAL 7032
	3 Grey coloured RAL 7035
	Front design
	0 Without front foil
	1 Front foil ALU eloxiert
	2 Front foil RAL 7032
	3 Front foil RAL 7035
	Display colour
	0 Red
	1 Green
	Power supply
	0 5 V DC, ± 10%, isolated
	1 12 V DC, ± 10 %, isolated
	2 18 .. 36 V DC, isolated

Unit overprint

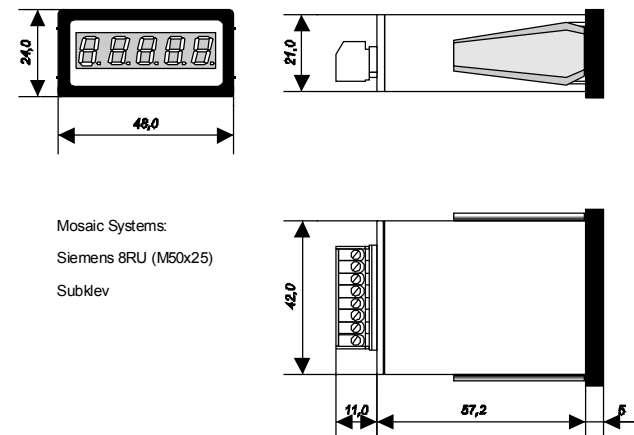
Please specify in clear text at order !

Dimensions

Switch board mounting



Panel clip



Mosaic Systems:
 Siemens 8RU (M50x25)
 Subkleb