

■ Programmable Totalizing Counter Model CM 2510

Highlights

- LED Display 8 mm, 5 decades
- DIN Housing 48 x 24 mm
- Switchboard- or Mosaic System Mounting
- Data Memory
- Isolated Power Supply
- Plug-In Screw Terminal

Standard functions

Modes

- Time meter with start and stop input
- Puls counter with direction-input
- Cycle duration measurement
- Puls duration measurement
- Frequency measurement up to 10 kHz
- Revolutions per minute
- Hour meter
- Tachometer m/s or km/h

Software functions

- Scaling factor 0,001 .. 10,000
- Offset value for count mode
- Count frequency 25 Hz, 7 kHz programmable
- Programmable decimal point
- Autoranging
- Last digit: 1, 2, 5 or 10 steps
- Display test

Digital input channels

The instrument is provided with four digital input channels. The digital input channels are low active. The digital inputs are carried out following functions:

- Programming
- Display test

Data memory

In addition to the modes pulse counter and hour meter a data memory is effective. When the power is switched off the actual display value will be stored and will be available after the power is switched on again.

Power supply

- 18 .. 36 V DC isolated
- optional 12 V DC isolated
- optional 5 V DC isolated



Programming

The programming is easy and clearly arranged. By means of a programming menu the user is taken through this programming. The programming is carried out through the digital input channels.

Options

Housing type

- Switch board mounting DIN 43700
- Mosaic system mounting (Subklev, Siemens 8RU)

Colour of the front frame

- Black
- Grey coloured RAL 7037

Design of the front

- Without front foil
- Front foil ERMA-Meter
- Front foil NEUTRAL
- Unit overprint

Display colour

- Red
- Green

Technical data

Display	: 5 decades, 8 mm, red (opt. green)
Display range	: -9999 .. 99999
Measuring ranges:	
Time meter	: 10 ms .. 9999,9 s
Pulse counter f_{max}	: 25 Hz, 7 kHz programmable
Period duration	: 10 ms .. 9999,9 s
Pulse duration	: 10 ms .. 9999,9 s
Frequency	: 0,6 Hz .. 9,999 kHz
Revolution	: 42 .. 9999 U/min
Hour meter	: 0,02 h .. 9999,9 h
Tachometer:	
Resolution	: 0,01 m/s or 0,1 km/h
Distance	: 1 m fix or variable prog.
Digital input channels:	
Low level	: < 0,4 V
High level	: > 3,5 V, max. 30 V
Input resistance:	
Input 1-4	: 10 k Ω to +5V
Input 5	: 10 k Ω to GND
Power supply DC	
optional	: 18 V to 36 V DC, isolated
optional	: 12 V DC, \pm 10 %, isolated
optional	: 5 V DC, \pm 10 %, isolated
Power consumption	
(18 .. 36 V DC)	: approx. 30 mA (red)
	: approx. 40 mA (green)
Housing	
Dimensions	: switch board mounting DIN 43700
Depth	: 48 x 24 x 60 mm
Protection	: < 70 mm incl. screw terminal
	: front IP 40
EMV	
Operating temperature	: EMV-conform with 89/336/EWG
	: 0 .. 50 °C

Ordering information

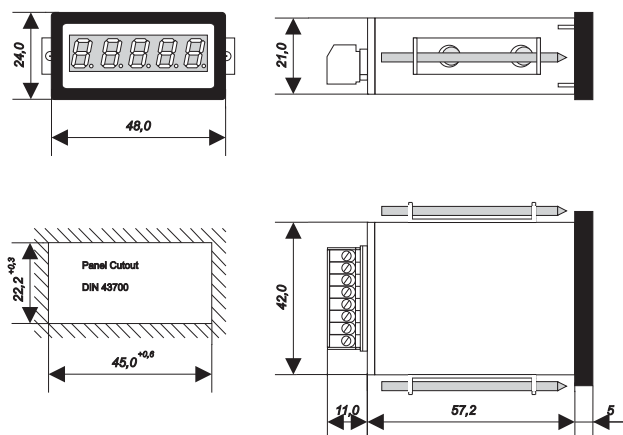
CM 2510 -	
	Housing
	0 Switch board mount
	1 Panel clip
	Front frame colour
	0 Black
	1 Grey coloured RAL 7037
	Front design
	0 Without front foil
	1 Front foil ERMA-METER
	2 Front foil NEUTRAL
	Display colour
	0 Red
	1 Green
	Power supply
	0 5 V DC, \pm 10%, isolated
	1 12 V DC, \pm 10 %, isolated
	2 18 .. 36 V DC, isolated

Unit overprint

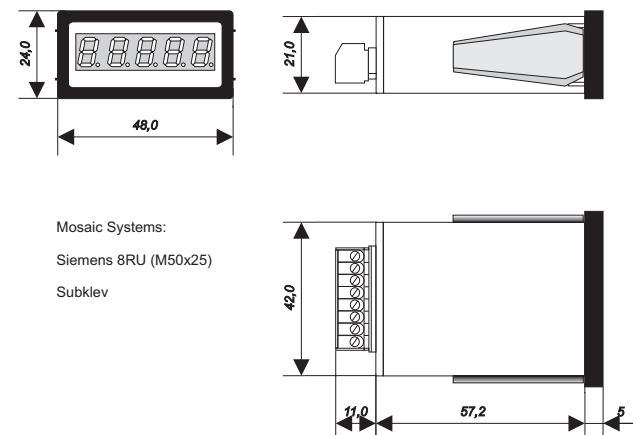
Please specify in clear text at order !

Dimensions

Switch board mounting



Panel clip



Mosaic Systems:
Siemens 8RU (M50x25)
Subklev