

**Isolated
Data Acquisition Board
AD 1199**

Highlights

- 8 Optical Isolated Analog Input Channels
- Resolution 12 Bit, 13 us
- 3 Optical Isolated Digital Inputs
- 2 Optical Isolated Digital Outputs
- Voltage, Current And Temperature Ranges
- Meets EMV-Specification

General

The data acquisition board model AD 1199 is an ISA-Bus based data acquisition board with 8 analog input, 3 digital input and 2 digital output channels. The main feature of this board is the channel-to-system isolation eliminating trouble some ground loops and protecting the data acquisition system from damage caused by external high voltage.

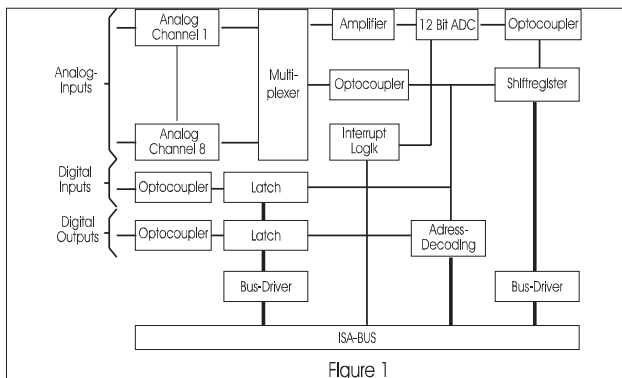


Figure 1

The block diagram of the data acquisition board is shown in figure 1.

The 3 digital inputs and 2 digital outputs can be used for controlling.

You can transfer data using interrupt or programmed I/O. The interruptsource is switch-selectable and can be located to IRQ 2, 3 or 5.

Addressing

The BASE address is switch selectable and can be located at the whole IO-adresspace. Only 2 IO-adresses are used. This allows installing multiple boards in the same host at the same time.

Analog inputs

The board provides 8 analog input channels. Each channel is configurable independent of the other channels for the following input ranges.

voltage	standard: 0-5V,0-10V, ±5V, ±10V
	customer defined
current	0/4 - 20 mA
	customer defined
temperature	Pt100
	thermocouple
	Fe-CuNi (J)/ NiCr-Ni (K)/ Pallapat
	PtRh-Pt (S)/ PtRh-EI 18

Software

A disk is included with programming examples for Basic, Turbo Pascal, C, Visual Basic, 16 bit DLL for Windows 3.1x and 32 bit DLL for Windows 95.

Technical Spezifications

Analog Inputs	: 8 x Singel
Optional	: 8 x Differential Channel-To-System-Isolation
Interrupt	: IRQ 2, 3 or 5
Resolution	: 12 Bit, 13 µs
Input Ranges	
Standard range	: 0-5 V, 0-10 V, ±5 V, ±10 V
Optional, current	: 0/4 to 20 mA
Optional, temperature	: Pt100
Accuracy Pt100	: +/- 1°C
Optional, temperature	: Thermocouple
Accuracy thermocouple	: +/- 1°C plus accuracy of the reference junction +/-1° C
Digital Input	: 3 Inputs, Isolated
Digital Output	: 2 Outputs, Isolated
Outputpower	: max. 25 mA / 30 V
Supply Voltage	: +5 V, max. 0,5 A
Connector	: DM37-male
EMV	: EMV-conform with 89/336/EWG

Ordering Information

AD 1199/XXXXXXXX

